

# Numbers

# are FUN!



# Colouring Book 2

WRITTEN BY

ABOO IBRAAHEEM HAROON BIN SAAJIDUR-RAHMAAN

أبو إبراهيم هارون بن ساجد الرحمان

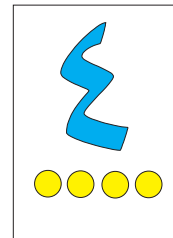
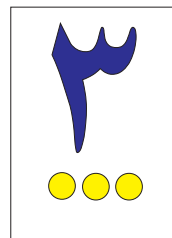
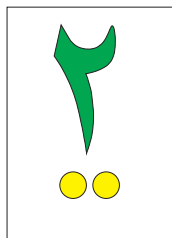
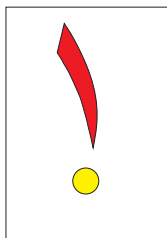
# Numbers are FUN!

## Starting to Add

It is important to work through the pages in the right order because the activities do get more difficult.

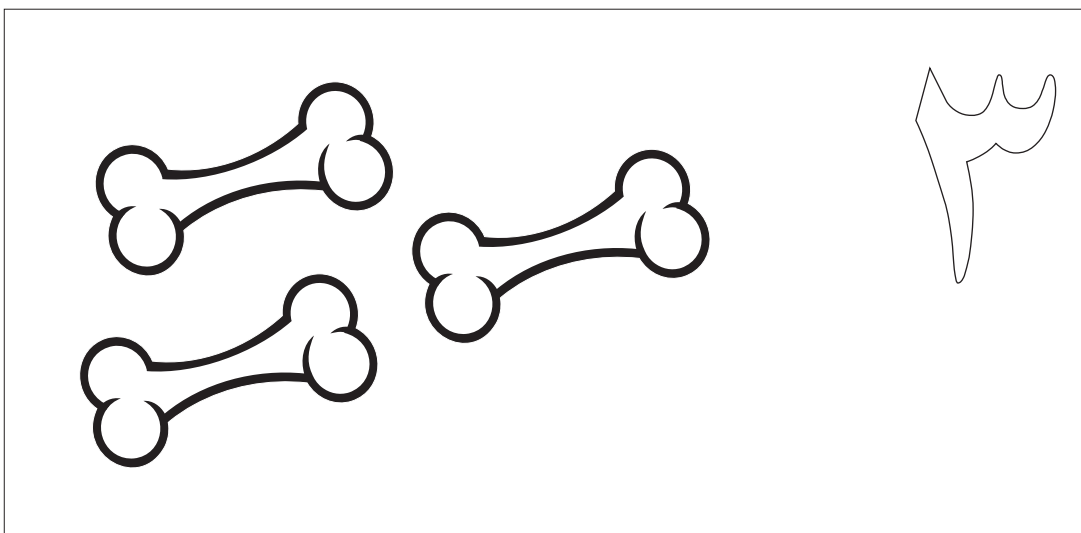
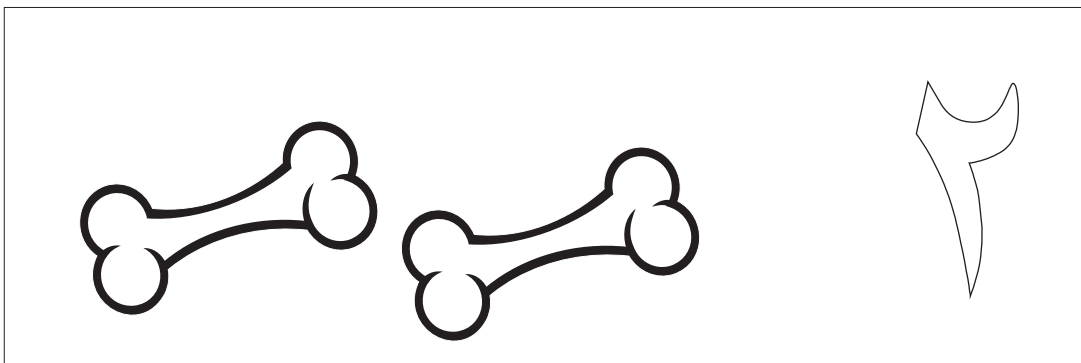
Note for parent: These activities helps your child to start counting.

After your child completes each page, get them to colour in the pictures and numbers.

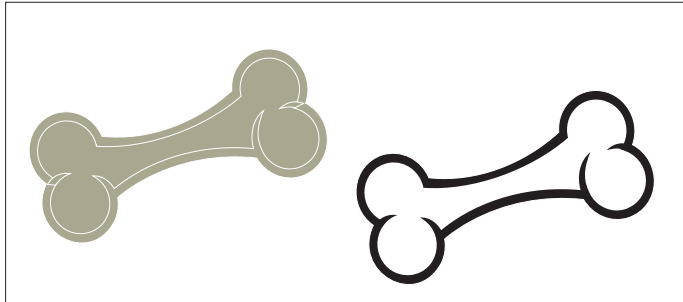


# Numbers 1 to 3

How many bones can you count in each set?

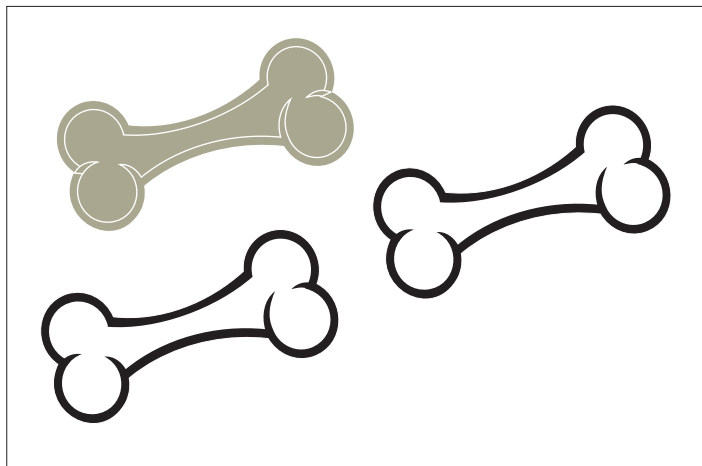


Colour one more bone.



How many bones are there altogether?

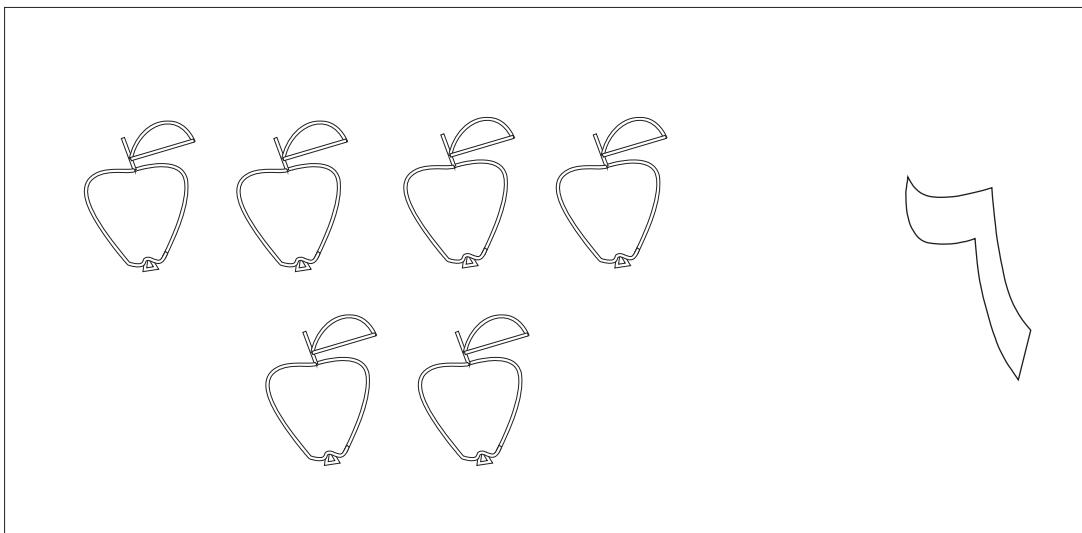
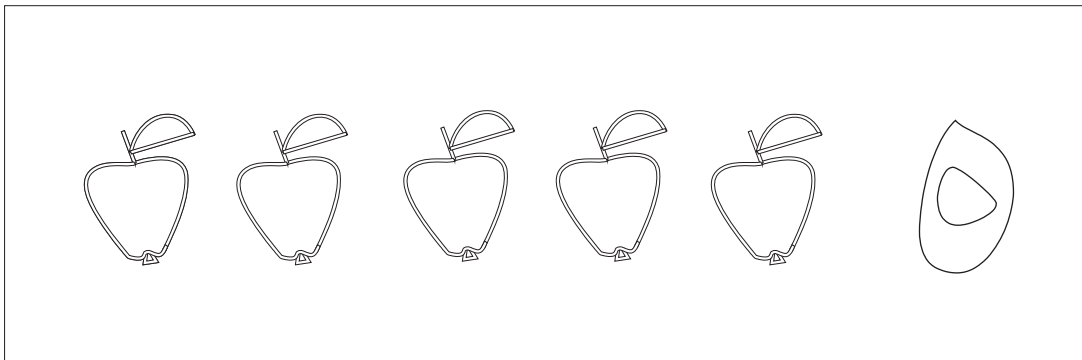
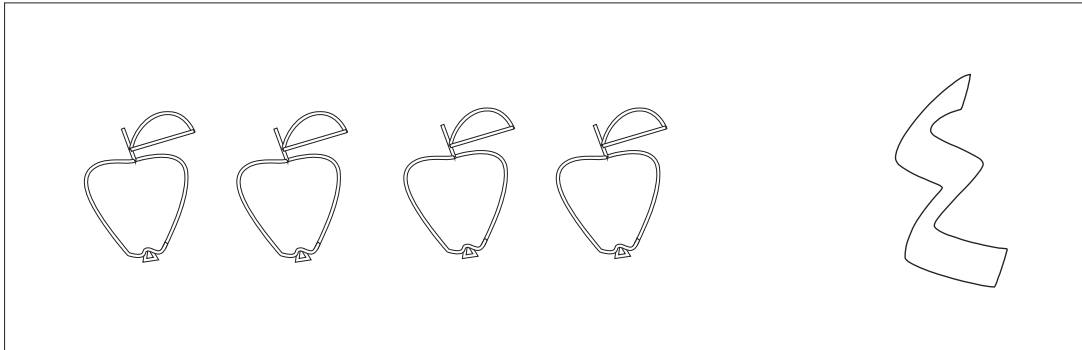
Colour two more bones.



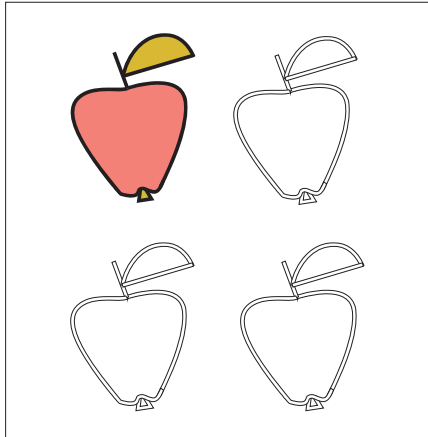
How many bones are there altogether?

# Numbers 4 to 6

How many apples can you count in each set?

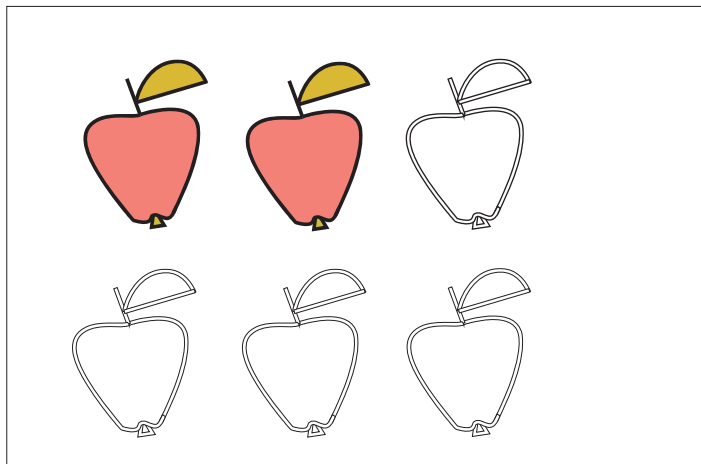


Colour three more apples.



How many apples are there altogether?

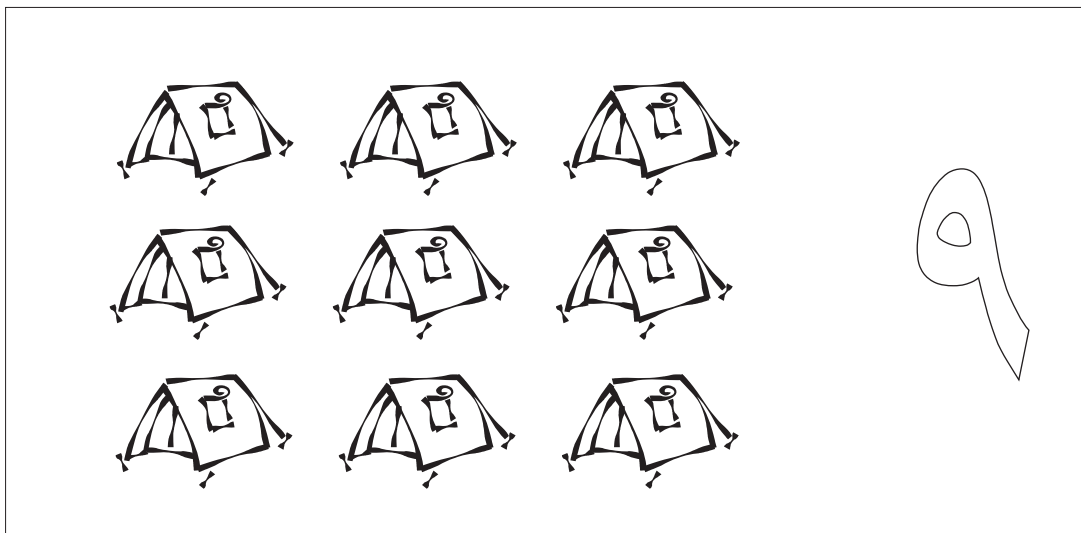
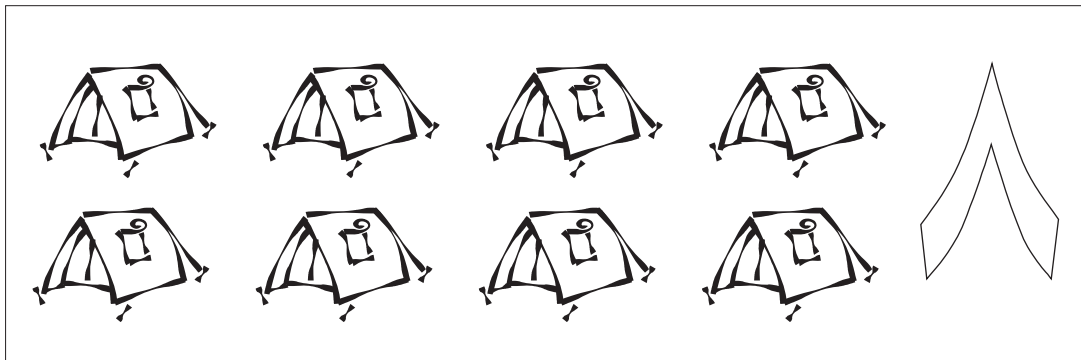
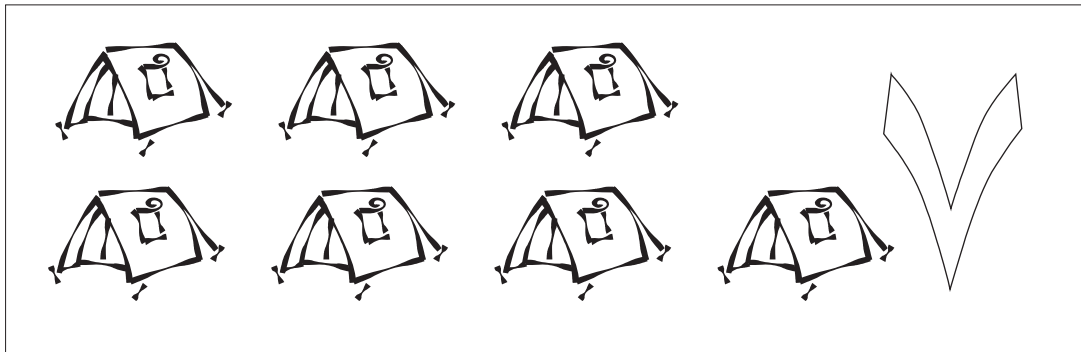
Colour four more apples.



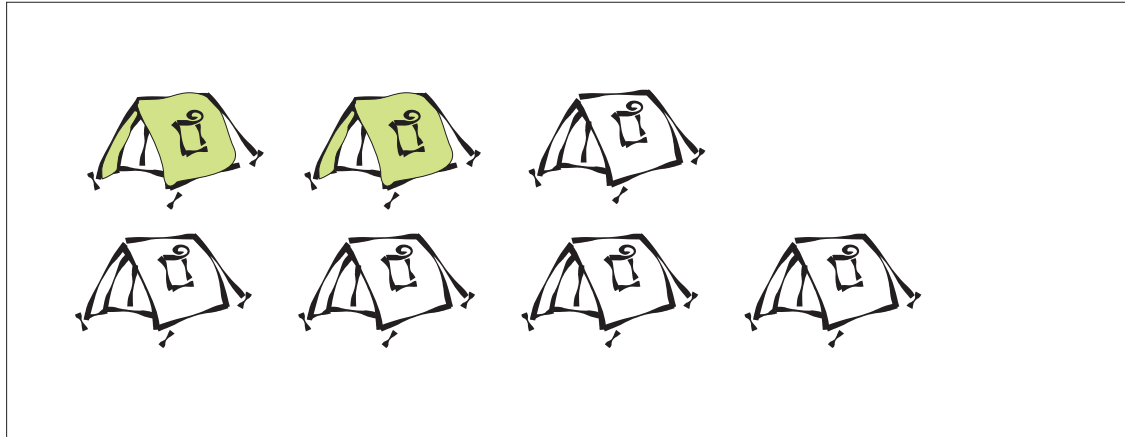
How many apples are there altogether?

# Numbers 7 to 9

How many tents can you count in each set?

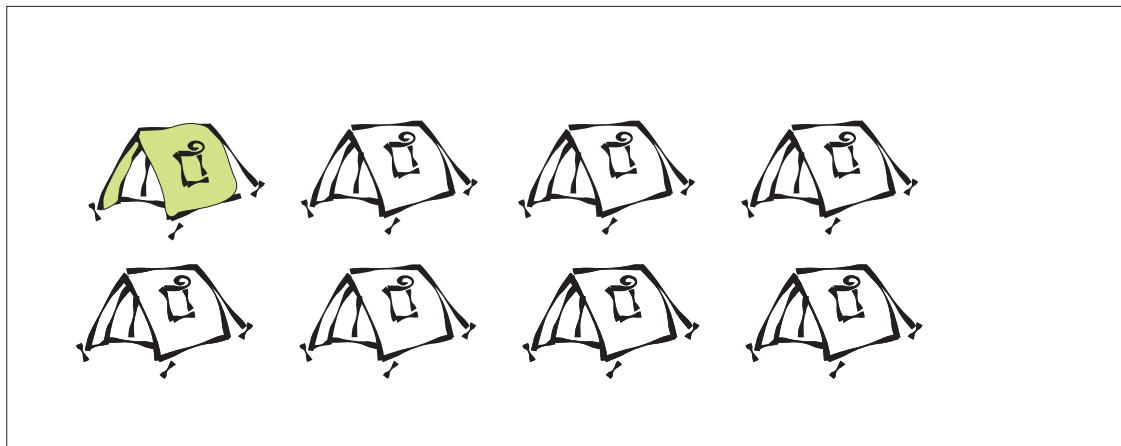


Colour five more tents.



How many tents are there altogether?

Colour seven more tents.

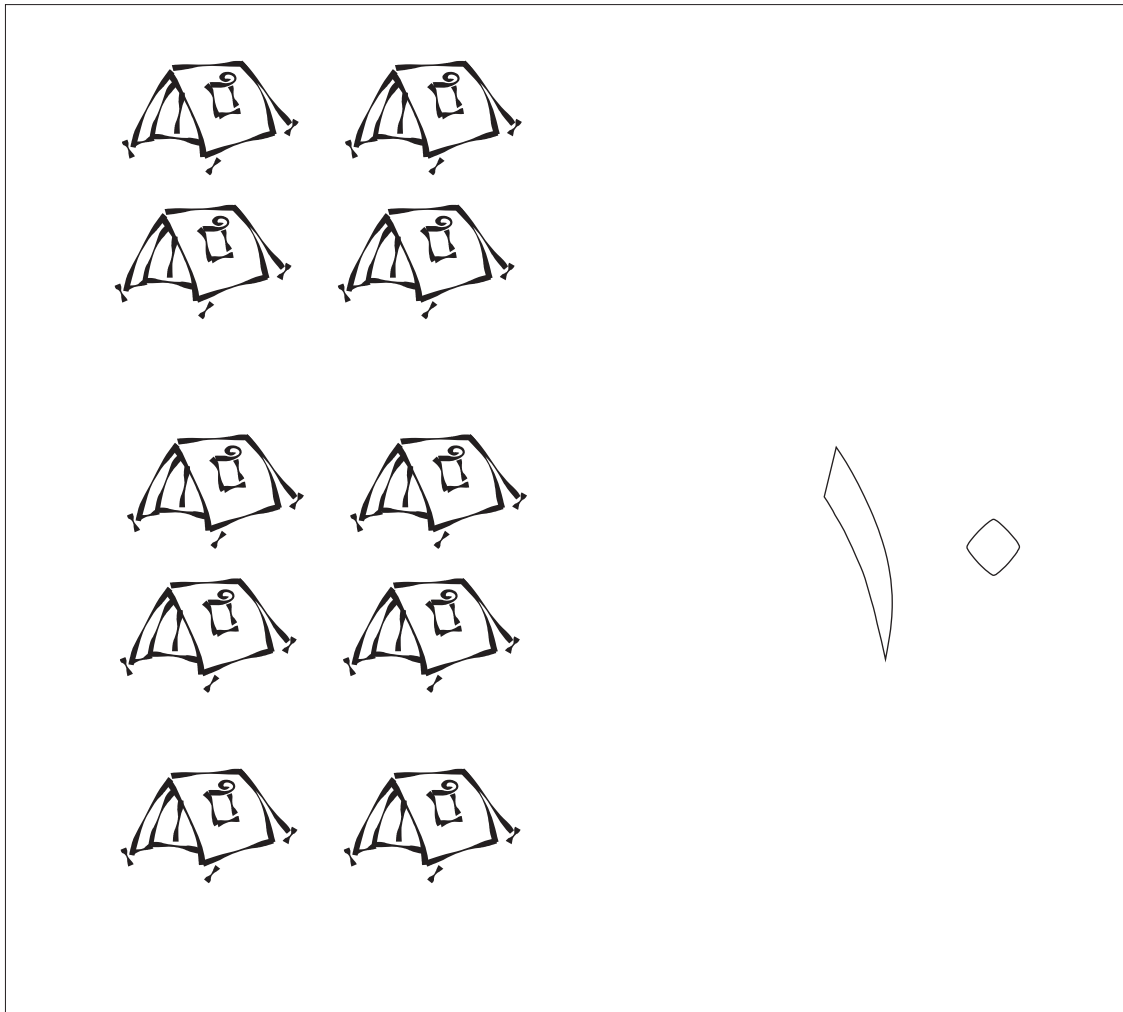


How many tents are there altogether?



# Number 10

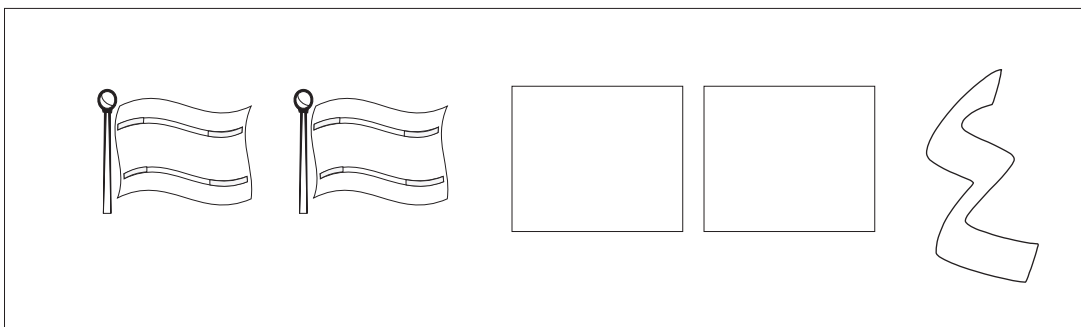
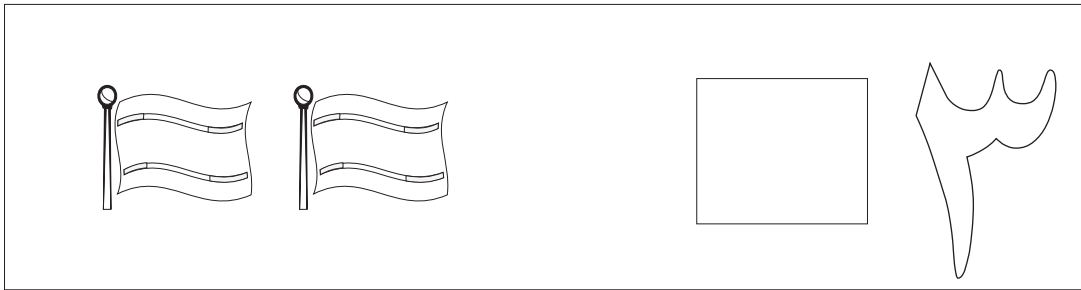
How many tents can you count in each set?



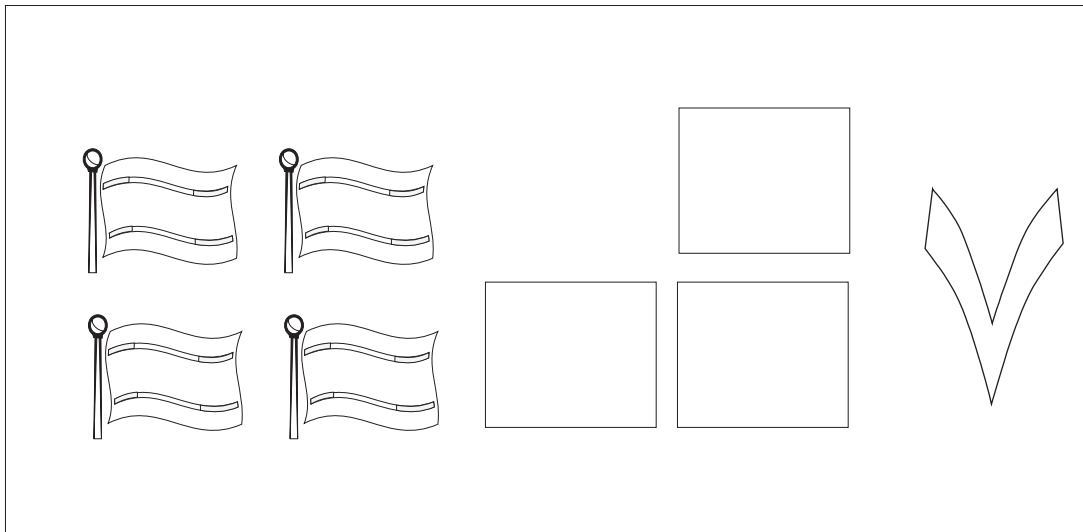
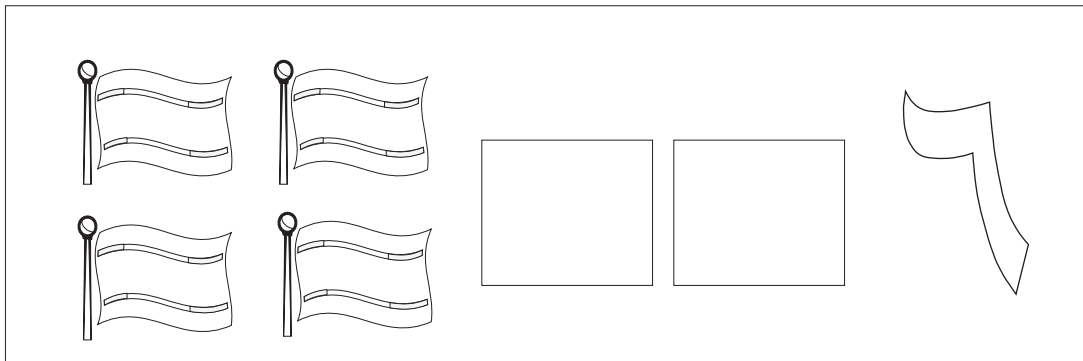
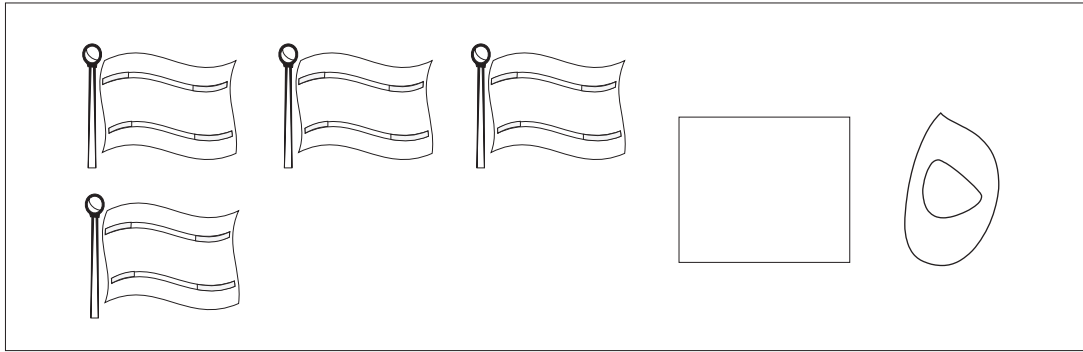
**Numbers are FUN!**

Let's count and colour more numbers!

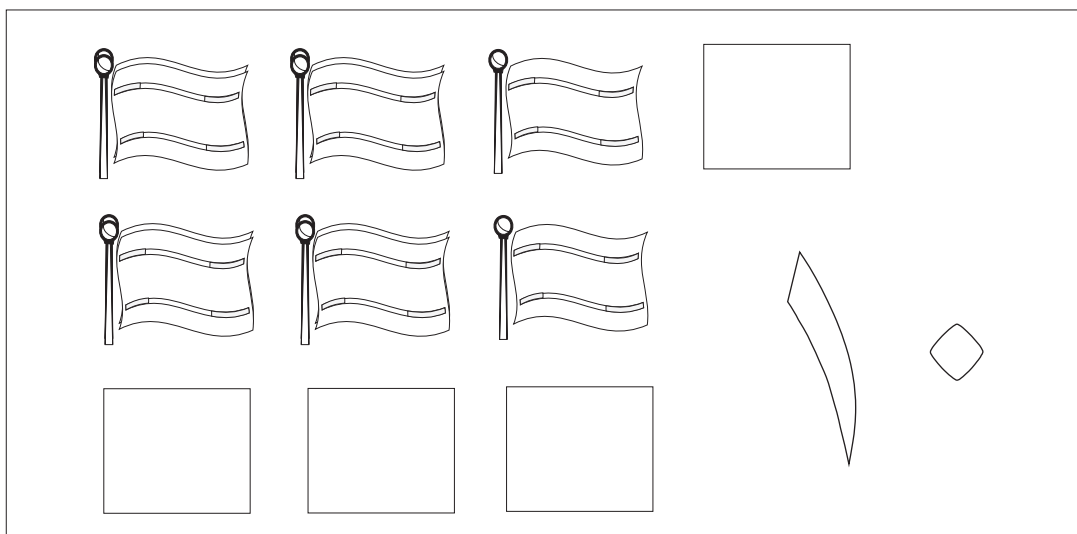
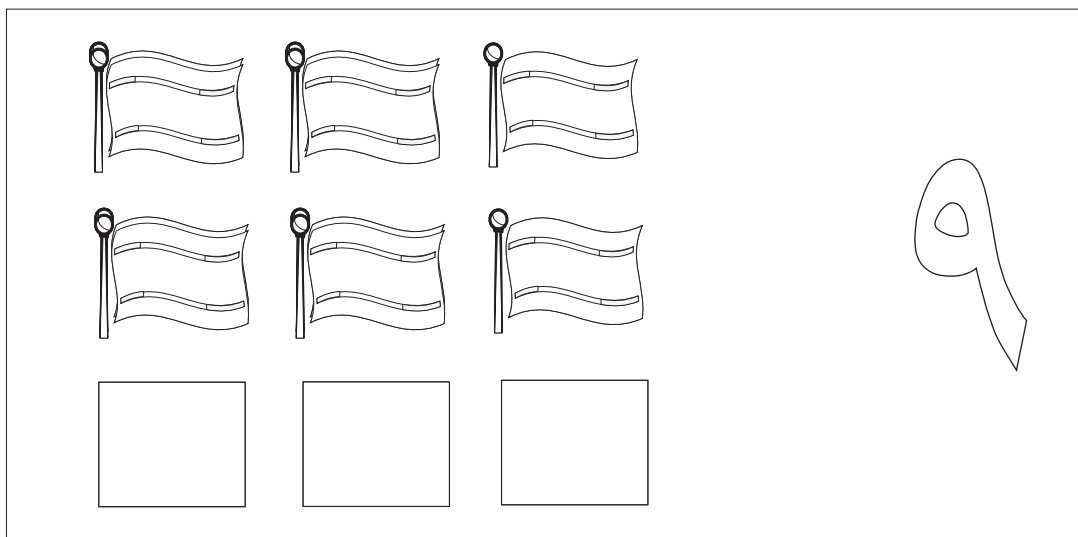
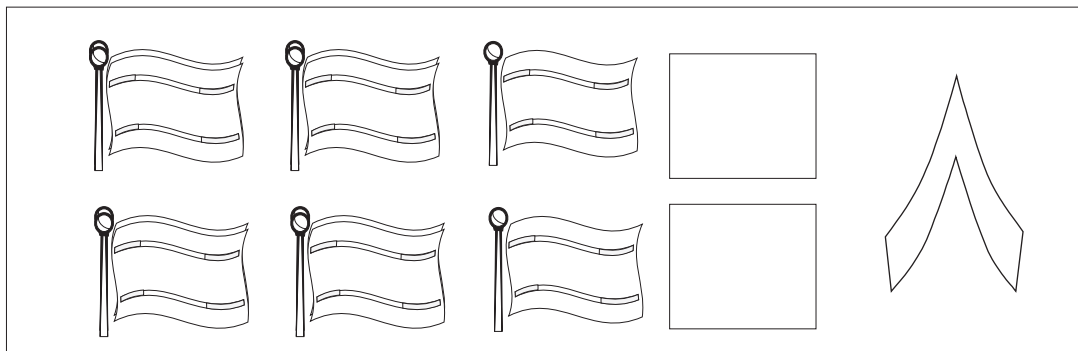
Draw the missing flags in each set?



Draw the missing flags in each set?



Draw the missing flags in each set?



# Numbers are FUN!

We want you and your children to enjoy learning with us. If you have any comments, please contact us. Your views mean a lot to us.

Email address: [haroonbooks@gmail.com](mailto:haroonbooks@gmail.com)

## ISLAMIC WEBSITES:

### KNOWLEDGE BASE

salafipublications.com  
troid.org  
bakkah.net  
fatwaislam.com  
masjiduthaymeen.org  
al-athariyyah.com  
sunnahpublishing.net  
therighteouspath.com

### DISCUSSION

salafitalk.net

### SCHOLARS

albani.co.uk  
binbaz.co.uk  
binuthaymin.co.uk  
fawzan.co.uk  
rabee.co.uk  
muqbil.co.uk  
ubayd.co.uk

### REFERENCE

thenoblequran.com  
sahihalbukhari.com  
sahihmuslim.com

### ARABIC

binbaz.org.sa  
binothaimeen.com  
rabee.net  
sahab.net

### AUDIO

salafiaudio.com  
salaficast.net  
troid audio

### KIDS

islam4kids.com  
salafischool.com  
al-miftaah.com

### ONLINE STORES

salafibookstore.com  
troid store